

# QUICK START GUIDE

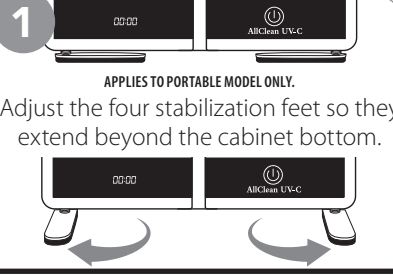
for **PORTABLE** and **WALL MOUNT** models

*Illustrations show portable model*


**1**

**APPLIES TO PORTABLE MODEL ONLY.**

Adjust the four stabilization feet so they extend beyond the cabinet bottom.

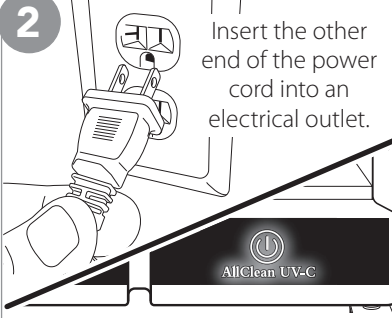


Insert power cord into output on side of AllClean UV-C® unit.



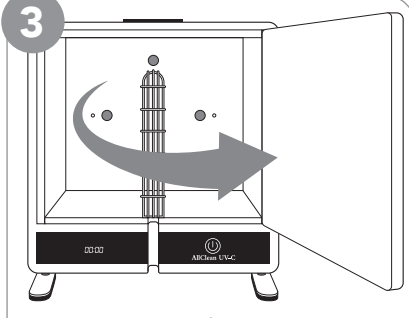
**2**

Insert the other end of the power cord into an electrical outlet.



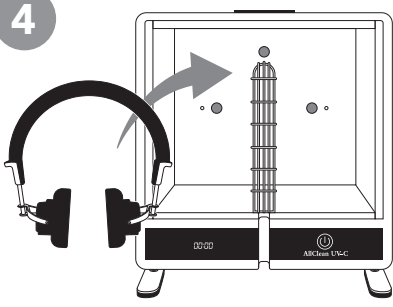
Logo illuminates in white when power is on and unit is in Standby mode.

**3**



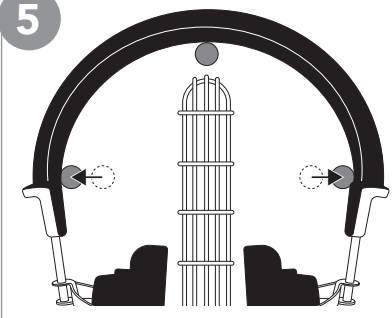
Open the door of the AllClean unit.

**4**



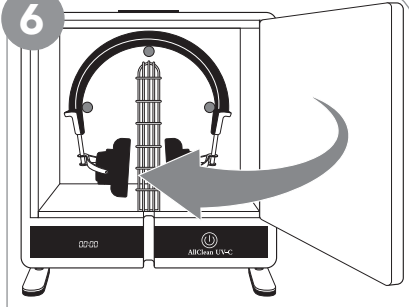
Place headphones on pegs inside the AllClean.

**5**



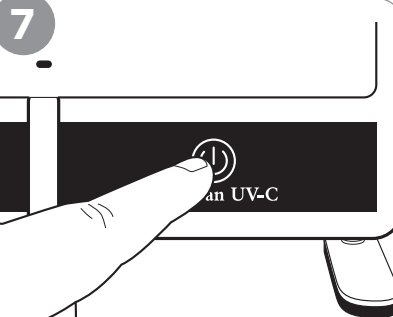
If necessary, adjust the pegs to increase or decrease the width to match your headphones.

**6**



Close the door.

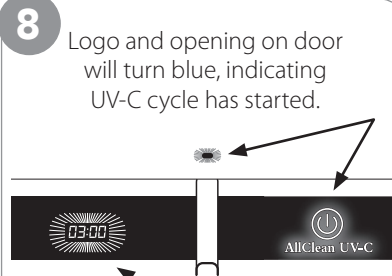
**7**



Touch the On/Off symbol located just above the AllClean logo.

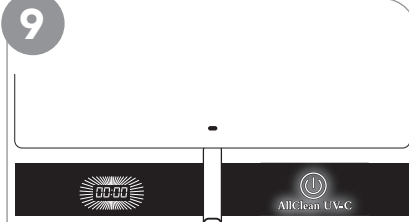
**8**

Logo and opening on door will turn blue, indicating UV-C cycle has started.



The timer will begin counting down from three minutes (03:00).

**9**



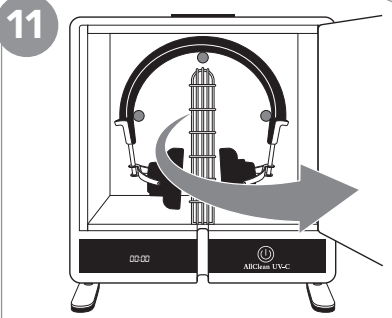
When the timer reaches zero (00:00), the cycle is complete. The logo changes to white indicating AllClean is in Standby mode.

**10**



Open the door and remove your headphones. They are ready to use.

**11**



If you need to cut the cycle short, simply open the door. The UV-C lamp will turn off and you can remove your headphones\*.

\*If the cycle is interrupted, run headphones through a second cycle.

**Instructions for WALL MOUNT installation on reverse**

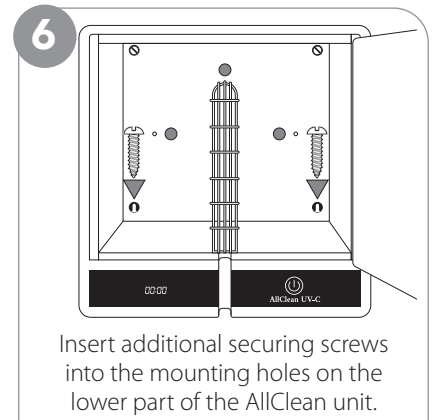
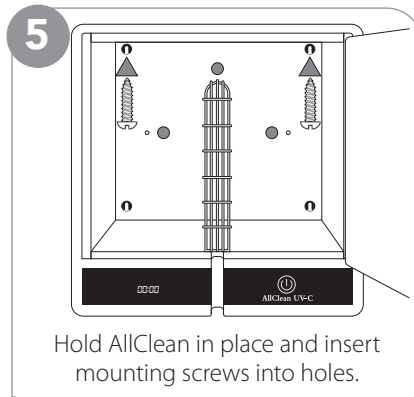
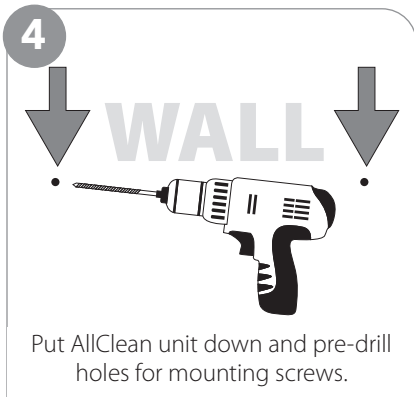
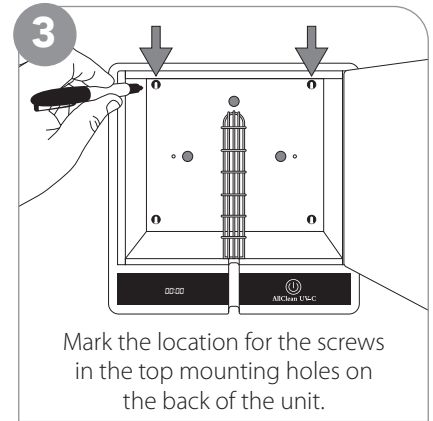
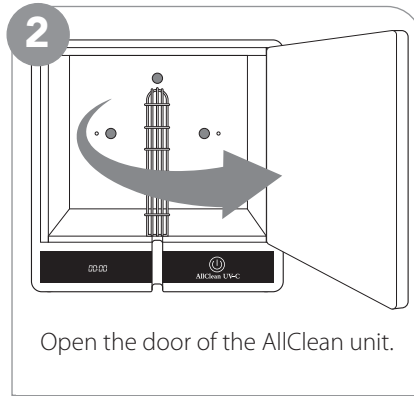
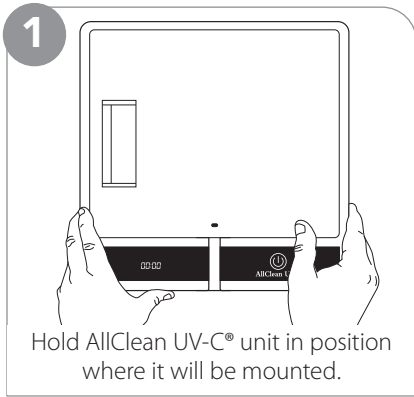


**1-800-327-8547**

allcleanhearing.com | info@eartech.com

# AllClean UV-C®

## WALL MOUNT installation



## HOW TO USE – QUICK START GUIDE on reverse



Remember to register your AllClean  
[www.allcleanuv-c.com/hearing/warranty](http://www.allcleanuv-c.com/hearing/warranty)

Need assistance?  
 1-800-327-8547  
[info@eartech.com](mailto:info@eartech.com)



Power Supply Information:  
 INPUT: 100-240V 50/60 Hz, 1.5 A OUTPUT: 24 V 2000mA  
 Power supplies used with this product are certified to UL.  
 Consult label on enclosed power supply for certifications.

ALLCLEAN UV-C MODELS  
 PORTABLE: AC-H10P-E WALL MOUNT: AC-H10W-E

©ALLCLEAN UV-C ALL RIGHTS RESERVED.  
 WORLDWIDE PATENTS AT [EARTECH.COM/PATENTS](http://EARTECH.COM/PATENTS)  
 DESIGNED BY EAR TECHNOLOGY CORP. IN THE USA.  
 MADE IN CHINA.



Ear Technology Corporation's Johnson City facilities have a Quality Management System certified to ISO 9001:2015 for the Design, Manufacture, Sale, and Distribution of Hearing Healthcare Products.  
 Certified—Service Disabled Veteran Owned Small Business

### IMPORTANT SAFETY INFORMATION

When using electrical products, especially when children are present, basic safety precautions should always be followed, including:

#### DANGER—To reduce the risk of electrocution:

- Do not use while bathing.
- Do not place or store product where it can fall or be pulled into a tub or sink.
- Do not place in or drop into water or other liquid
- Do not reach for this device if it has fallen into water.

**WARNING**—To reduce the risk of burns, electrocution, fire, or injury to persons:

- **NEVER look at the UV-C light when it's on. Looking at the UV-C light with the naked eye may cause severe burns to the eye.**
- Closely supervise use by, on or near children or invalids.
- Use this product only for its intended use as described in this guide.
- Never operate this product if it has a damaged cord or plug, if it is not working properly, if it has been dropped or

damaged, or dropped into water. Return it to the place of purchase or service center for examination and repair.

- Never place the product on a soft surface such as a bed. Keep any air openings free of lint, hair, and the like.
- Do not use outdoors.
- The AC adapter included with your unit is made specifically for this product. Do not use it with another appliance, and do not use an adapter from any other electrical device in its place.

**NOTE: This product is not designed to diagnose, prevent, monitor, treat, or alleviate disease.**

#### OPERATING CONDITIONS

Operates at an ambient temperature of 70°F (21°C).

UV-C lamp will shut off if door is opened during the cycle. The lamp also shuts off at the end of the 3 minute cycle time.

#### WARRANTY SERVICE (OUTSIDE NORTH AMERICA)

Contact the place of business where you obtained your AllClean.



1-800-327-8547

[allcleanhearing.com](http://allcleanhearing.com) | [info@eartech.com](mailto:info@eartech.com)

EPA Est. 96543-CHN-1